



Support  
Systems for  
**Fire Protection**  
& Mechanical  
Services



# NETWORK

cable and pipe supports



Established in 2003, Network provides a complete package to service the Electrical, Mechanical and Fire Protection market sectors.

At Network we are committed to service our customers to the very highest standard using our unparalleled technical and manufacturing experience aimed to suit all your requirements.

Our exceptional service enables us to satisfy all customer lead times and a flexibility to meet everyone's expectations.

The team are highly focused on continual improvements and are dedicated to provide a quality product delivered on time and at a competitive market price.

Electrical,  
Mechanical &  
Fire Protection  
Support Systems





## Index

- Angle Brackets .....5
- Beam Clamps.....7
- Channel Brackets .....8
- Channel Couplers .....9
- Flat Plates.....9
- Pipe Supports & Hangers .....10
- Floor Brackets .....12
- Cantilever Arms & Vertical Supports...12
- Fasteners & Fixings.....13
- Channel Nuts .....14
- Strut & Channel.....15
- Allthread Rods & Accessories .....16
- Lindapter Products.....16
- Fire Protection.....17
- Sockets .....18
- Couplings .....18
- Steel Tube.....18
- Couplings .....18
- Grooved Fittings .....18

## Material Specifications

Mild Steel: BS EN 10025  
 Hot Dip Galvanised: BS EN ISO 1461: 2009  
 Pre-Galvanised Material: BS EN 10326: 2004 (Z275)  
 Zinc Plated: BS 7371-1: 2009



**AB01** P1026

1/1 Hole 90 Degree  
 Hole Size : 14mm diameter  
 Dimensions : 47mm x 50mm  
 Thickness : 5mm  
 Weight : 0.15kg  
 Finish : HDG



**AB02** P1068

1/1 Hole 90 Degree  
 Hole Size : 14mm Diameter  
 Dimensions : 57mm x 41mm  
 Thickness : 5mm  
 Weight : 0.15kg  
 Finish : HDG



**AB03** P1346

1/2 Hole 90 Degree  
 Hole Size : 14mm Diameter  
 Dimensions : 47mm x 98mm  
 Thickness : 5mm  
 Weight : 0.24kg  
 Finish : HDG



**AB04** P1326

1/2 Hole 90 Degree  
 Hole Size : 14mm Diameter  
 Dimensions : 41mm x 104mm  
 Thickness : 5mm  
 Weight : 0.235kg  
 Finish : HDG



**AB06** P1325

2/2 Hole 90 Degree  
 Hole Size : 14mm Diameter  
 Dimensions : 89mm x 104mm  
 Thickness : 5mm  
 Weight : 0.30kg  
 Finish : HDG



**AB07** P1278

1/3 Hole 90 Degree  
 Hole Size : 14mm Diameter  
 Dimensions : 56mm x 137mm x 5mm  
 Thickness : 5mm  
 Weight : 0.305kg  
 Finish : HDG



**FP41** P1358

4 Hole Flat Delta Plate  
 Hole Size : 14mm  
 Dimensions : 136mm x 90mm  
 Thickness : 5mm  
 Weight : 0.48  
 Finish : HDG



**AB09**

Mini Delta Plate  
 1/2 Hole 90 Degree Mini Delta Plate  
 Hole Size : 14mm  
 Dimensions : 57mm x 41mm x 5mm  
 Thickness : 5mm  
 Weight : 0.295  
 Finish : HDG



**AB10** P1359

4 Hole 90 Degree Delta Plate  
 Hole Size : 14mm Diameter  
 Dimensions : 104mm x 41mm  
 Thickness : 5mm  
 Weight : 0.435kg  
 Finish : HDG



# ANGLE BRACKETS



**AB15** P1037

**90 Degree Left Hand T Bracket**

Hole Size : 14mm Diameter  
 Dimensions : 90mm x 90mm x 51mm  
 Thickness : 5mm  
 Weight : 0.34kg  
 Finish : HDG



**AB16** P1038

**90 Degree Right Hand T Bracket**

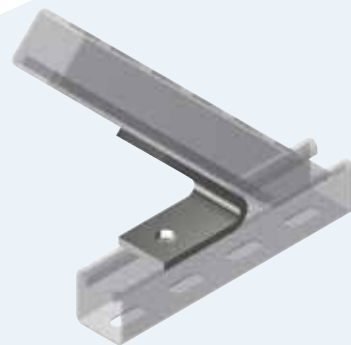
Hole Size : 14mm Diameter  
 Dimensions : 90mm x 90mm x 51mm  
 Thickness : 5mm  
 Weight : 0.34  
 Finish : HDG



**AB17** P1033

**90 Degree T Bracket**

Hole Size : 14mm Diameter  
 Dimensions : 138mm x 48mm x 51mm  
 Thickness : 5mm  
 Weight : 0.345kg  
 Finish : HDG



**AB19** P1186

**45 Degree Acute Angle Bracket**

Hole Size : 14mm Diameter  
 Dimensions : 45 Degree Acute Angle  
 40mm x 64mm x 77mm  
 Thickness : 5mm  
 Weight : 0.335kg  
 Finish : HDG



**AB20** P1074

**2/2 Hole 45 Degree Angle Bracket**

Hole Size : 14mm  
 Dimensions : 78mm x 78mm  
 Thickness : 5mm  
 Weight : 0.350  
 Finish : HDG



**AB21** P1546

**45 Degree Obtuse Angle Bracket**

1/1 Hole 45 Degree Brackets  
 Hole Size : 14mm  
 Dimensions : 71mm x 54mm  
 Thickness : 5mm  
 Weight : 0.280  
 Finish : HDG



**AB22**

**45 Degree T Bracket**

Hole Size : 14mm Diameter  
 Dimensions : 138mm x 48mm x 51mm  
 Thickness : 5mm  
 Weight : 0.35kg  
 Finish : HDG



**AB26** P1354

**Hinge Bracket**

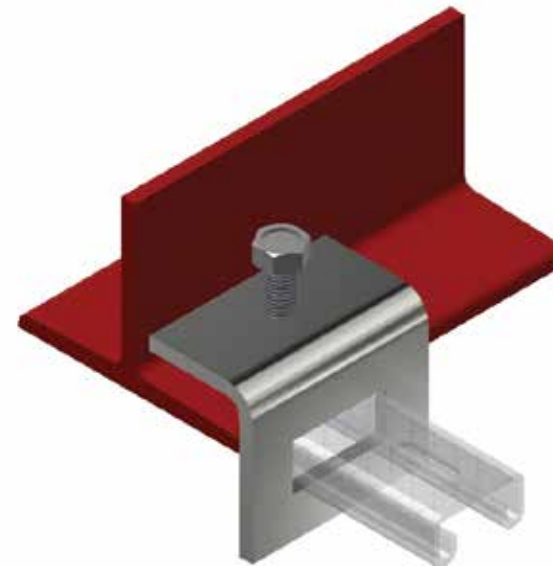
2/2 Hole Hinge Brackets  
 Hole Size : 14mm  
 Dimensions : 102mm x 102mm  
 Thickness : 5mm  
 Weight : 0.450  
 Finish : HDG



**AB08** P2484

**2/2 Hole Gusset 90 Degree**

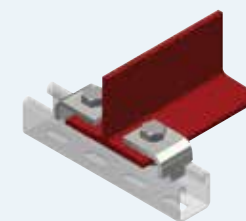
Hole Size : 14mm Diameter  
 Dimensions : 89mm x 104mm (4 Holes)  
 Thickness : 5mm  
 Weight : 0.42kg  
 Finish : HDG



**BC71-21** P1796A

**41 x 21 Window Bracket**

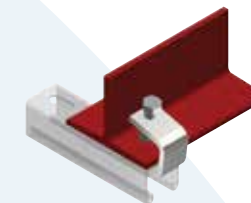
C/W M10 x 40 Cone point Screws  
 Hole Size : 41mm x 21mm  
 Dimensions : 90mm x 70mm  
 Thickness : 5mm  
 Weight : 0.345kg  
 Finish : HDG



**BC75** P1386

**Channel Beam Clamp**

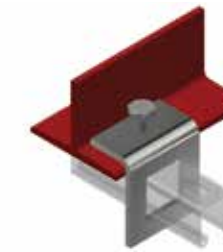
Toe Clamp  
 C/W M10 x 40 Cone Point Screws  
 Dimensions : 52mm  
 Thickness : 5mm  
 Weight : 0.114kg  
 Finish : HDG



**BC78** P1272

**Tapped Channel Beam Clamp - Mini**

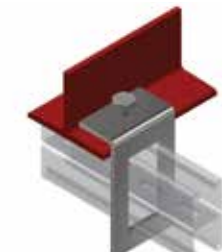
Small C Clamp  
 C/W M10 x 40 Cone Point Screws  
 Dimensions : 50mm x 30mm  
 Thickness : 5mm  
 Weight : 0.175kg  
 Finish : HDG



**BC71-41** P1796

**41 x 41 Window Bracket**

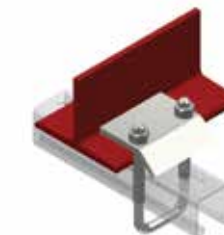
C/W M10 x 40 Cone Point Screws  
 Hole Size : 41mm x 41mm  
 Dimensions : 90mm x 90mm  
 Thickness : 5mm  
 Weight : 0.40kg  
 Finish : HDG



**BC71-82** P1796B

**41 x 82 Window Bracket**

Thickness : 5mm



**BC73-41** P2785

**Single Channel U Bolt Assembly**

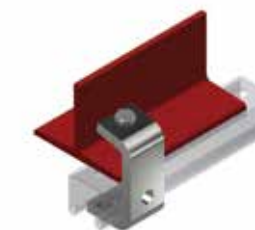
To Suit 41mm x 41mm Channel  
 U - Bolt Size : 110mm x 41mm  
 Thickness : 5mm  
 Weight : 0.395kg  
 Finish : HDG/BZP



**BC73-82** P2786

**Double Channel U Bolt Assembly**

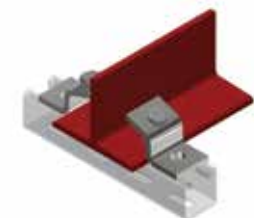
To Suit 41mm x 82mm Channel  
 U - Bolt Size : 150mm x 41mm  
 Thickness : 5mm  
 Weight : 0.445kg  
 Finish : HDG/BZP



**BC79** P1271

**Tapped Channel Beam Clamp - Large**

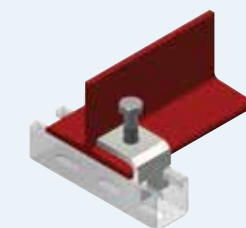
C/W M10 x 40 Cone Point Screws  
 Hole Size : 14mm  
 Dimensions : 50mm x 80mm  
 Thickness : 10mm  
 Weight : 0.46kg  
 Finish : HDG



**BC80**

**C/W M10 x 40 Cone point Screw**

Hole Size : 14mm Diameter  
 Thickness : 5mm  
 Weight : 0.185  
 Finish : HDG



**BC87** P2489

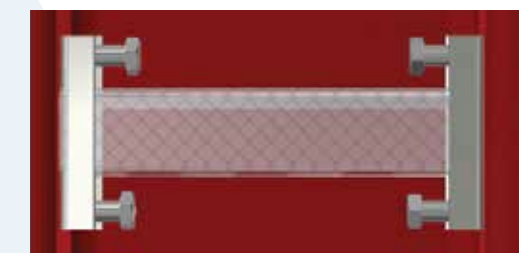
**Heavy Duty Tapped Beam Clamp**

Hole Size : 11mm  
 Dimensions : 36mm x 41mm  
 Thickness : 10mm  
 Weight : 0.250  
 Finish : HDG



**Drilled Beam Clamp**

Hole Size : 9mm/11mm/14mm  
 Finish : Zinc



**Internal Beam Clamp** P3087

Finish : HDG/ZINC  
 Weight : 0.67kg

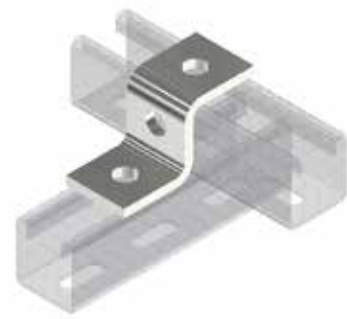
| Weight (kg) | 35x38mm | 42x44mm | 54x58mm |
|-------------|---------|---------|---------|
|             | 0.0810  | 0.1430  | 0.2160  |

# CHANNEL BRACKETS



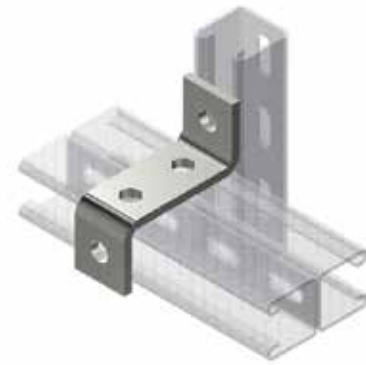
**CB50** P4045

Hole Size : 14mm Diameter  
 Dimensions : 88mm x 21mm  
 Thickness : 5mm  
 Weight : 0.18kg  
 Finish : HDG



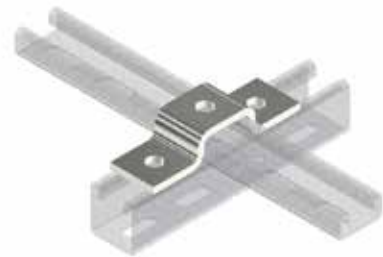
**CB51** P1045

Hole Size : 14mm Diameter  
 Dimensions : 95mm x 41mm  
 Thickness : 5mm  
 Weight : 0.205kg  
 Finish : HDG



**CB52** P1453

Hole Size : 14mm Diameter  
 Dimensions : 88mm x 83mm  
 Thickness : 5mm  
 Weight : 0.285kg  
 Finish : HDG



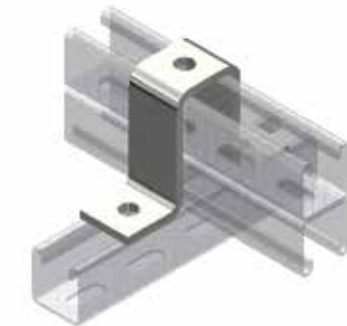
**CB55** P4047

Hole Size : 14mm Diameter  
 Dimensions : 137mm x 21mm (3 Holes)  
 Thickness : 5mm  
 Weight : 0.29kg  
 Finish : HDG



**CB56** P1047

Hole Size : 14mm Diameter (5 Holes)  
 Dimensions : 137mm x 41mm  
 Thickness : 5mm  
 Weight : 0.35kg  
 Finish : HDG



**CB57** P1737

Hole Size : 14mm Diameter (3 Holes)  
 Dimensions : 137mm x 83mm  
 Thickness : 5mm  
 Weight : 0.53kg  
 Finish : HDG



**CB58** P1043

Hole Size : 14mm Diameter (6 Holes)  
 Dimensions : 178mm x 41mm  
 Thickness : 5mm  
 Weight : 0.42kg  
 Finish : HDG



**CB59** P2223

**Wing Bracket**  
 Holes : 14mm Holes  
 Thickness : 5mm  
 Weight : 0.31kg  
 Finish : HDG



**CB61** P1044

**4 Hole C Bracket**  
 Hole Size : 14mm  
 Dimensions : 96mm x 47mm  
 Thickness : 5mm  
 Weight : 0.320  
 Finish : HDG



**CB62** P2346

Hole Size : 14mm Diameter (8Holes)  
 Dimensions : 98mm x 41mm  
 Thickness : 5mm  
 Weight : 0.70kg  
 Finish : HDG

# CHANNEL COUPLERS



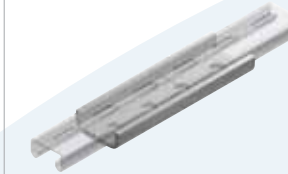
**CS45** P1219

C/W M6 x 12mm Screws  
 Hole Size : 6mm Tapped  
 Dimensions : 21mm x 41mm x 250mm  
 Weight : 0.207kg  
 Finish : Pre Galvanised



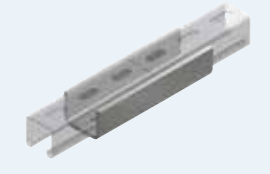
**CS46** P1218

**41 x 41 Internal Connectors**  
 C/W M6 x 12mm Screws  
 Hole Size : 6mm Tapped  
 Dimensions : 41mm x 41mm x 250mm  
 Weight : 0.352kg  
 Finish : Pre Galvanised



**CS47**

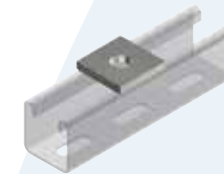
Hole Size : 14mm Diameter  
 Dimensions : 21mm x 41mm x 185mm  
 Weight : 0.66kg  
 Finish : HDG



**CS48** P1377

**41 x 41 External Connectors**  
 Hole Size : 14mm Diameter  
 Dimensions : 41mm x 41mm x 185mm  
 Weight : 0.977kg  
 Finish : HDG

# FLAT PLATES



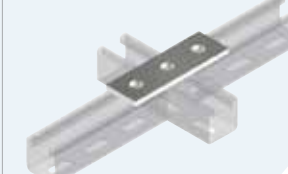
**FP31** P1019-20

To suit M6/ M8/ M10/ M12 Allthread  
 Dimensions : 40mm x 40mm  
 Thickness : 5mm  
 Weight : 0.055kg  
 Finish : HDG/ BZP



**FP32** P1065

Hole Size : 14mm Diameter  
 Dimensions : 88mm x 40mm  
 Thickness : 5mm  
 Weight : 0.145kg  
 Finish : HDG



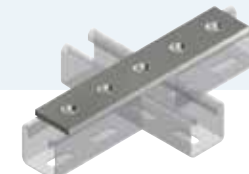
**FP33** P1066

Hole Size : 14mm Diameter  
 Dimensions : 136mm x 40mm  
 Thickness : 5mm  
 Weight : 0.22kg  
 Finish : HDG



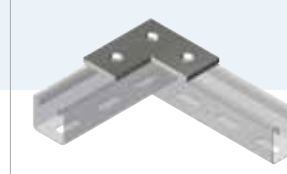
**FP34** P1067

Hole Size : 14mm Diameter  
 Dimensions : 184mm x 40mm  
 Thickness : 5mm  
 Weight : 0.285kg  
 Finish : HDG



**FP35** P1941

Hole Size : 14mm Diameter  
 Dimensions : 232mm x 40mm  
 Thickness : 5mm  
 Weight : 0.36kg  
 Finish : HDG



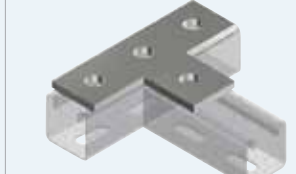
**FP36** P1036

Hole Size : 14mm Diameter  
 Dimensions : 90mm x 90mm  
 Thickness : 5mm  
 Weight : 0.225kg  
 Finish : HDG



**FP37**

**5 Hole Cross Plate**  
 Hole Size : 14mm  
 Dimensions : 138 x 138 x 5  
 Thickness : 5mm  
 Weight : 0.64  
 Finish : HDG



**FP38** P1031

Hole Size : 14mm Diameter  
 Dimensions : 138mm x 90mm  
 Thickness : 5mm  
 Weight : 0.345kg  
 Finish : HDG

# PIPE SUPPORTS & HANGERS

## Munsen Rings



Size : 15mm to 150mm  
Finish : Galvanised or Self-colour

| Pipe Size | (mm)  | Metric Thread | Max Load Kn | Kg  | Recommended S.W.L (kg) |
|-----------|-------|---------------|-------------|-----|------------------------|
| 1/2"      | 12mm  | M8/M10        | 4.3000      | 439 | 219                    |
| 3/4"      | 20mm  | M8/M10        | 1.0850      | 417 | 208                    |
| 1"        | 25mm  | M8/M10        | 3.7720      | 385 | 192                    |
| 1 1/4"    | 32mm  | M8/M10        | 4.1000      | 418 | 209                    |
| 1 1/2"    | 40mm  | M8/M10        | 3.8840      | 396 | 198                    |
| 2"        | 50mm  | M8/M10        | 3.2160      | 328 | 164                    |
| 2 1/2"    | 65mm  | M12           | 3.6800      | 375 | 187                    |
| 3"        | 80mm  | M12           | 5.8720      | 599 | 299                    |
| 4"        | 100mm | M12           | 5.9100      | 602 | 301                    |
| 5"        | 125mm | M12           | 5.7980      | 591 | 295                    |
| 6"        | 150mm | M12           | 5.5820      | 563 | 281                    |

## Munsen Ring Back Plates



Malleable  
Size : M10/M12  
Weight : 0.04kg  
Finish : Galvanised and Self-colour

| Metric Thread | Max Load Kn | Kg  | Recommended S.W.L (kg) |
|---------------|-------------|-----|------------------------|
| M10           | 8.3800      | 854 | 427                    |

## U-Bolts



| Standard U - Bolt                           | Bore  |
|---|-------|
| 1/2" = 15mm Pipe Size (M6 Metric Thread)    | 15mm  |
| 3/4" = 20mm Pipe Size (M6 Metric Thread)    | 20mm  |
| 1" = 25mm Pipe Size (M6 Metric Thread)      | 25mm  |
| 1 1/4" = 32mm Pipe Size (M10 Metric Thread) | 32mm  |
| 1 1/2" = 40mm Pipe Size (M10 Metric Thread) | 40mm  |
| 2" = 50mm Pipe Size (M10 Metric Thread)     | 50mm  |
| 2 1/2" = 65mm Pipe Size (M10 Metric Thread) | 65mm  |
| 3" = 80mm Pipe Size (M12 Metric Thread)     | 80mm  |
| 4" = 100mm Pipe Size (M12 Metric Thread)    | 100mm |
| 5" = 125mm Pipe Size (M12 Metric Thread)    | 125mm |
| 6" = 150mm Pipe Size (M12 Metric Thread)    | 150mm |
| 8" = 200mm Pipe Size (M16 Metric Thread)    | 200mm |
| 10" = 250mm Pipe Size (M16 Metric Thread)   | 250mm |
| 12" = 300mm Pipe Size (M16 Metric Thread)   | 300mm |



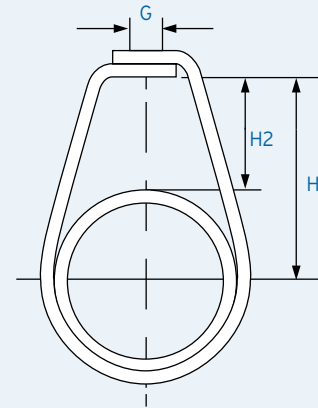
| Extended Leg U - Bolt                       | Bore  |
|---|-------|
| 1/2" = 15mm Pipe Size (M6 Metric Thread)    | 15mm  |
| 3/4" = 20mm Pipe Size (M6 Metric Thread)    | 20mm  |
| 1" = 25mm Pipe Size (M6 Metric Thread)      | 25mm  |
| 1 1/4" = 32mm Pipe Size (M10 Metric Thread) | 32mm  |
| 1 1/2" = 40mm Pipe Size (M10 Metric Thread) | 40mm  |
| 2" = 50mm Pipe Size (M10 Metric Thread)     | 50mm  |
| 2 1/2" = 65mm Pipe Size (M10 Metric Thread) | 65mm  |
| 3" = 80mm Pipe Size (M12 Metric Thread)     | 80mm  |
| 4" = 100mm Pipe Size (M12 Metric Thread)    | 100mm |
| 5" = 125mm Pipe Size (M12 Metric Thread)    | 125mm |
| 6" = 150mm Pipe Size (M12 Metric Thread)    | 150mm |
| 8" = 200mm Pipe Size (M16 Metric Thread)    | 200mm |
| 10" = 250mm Pipe Size (M16 Metric Thread)   | 250mm |
| 12" = 300mm Pipe Size (M16 Metric Thread)   | 300mm |

## Filbows



| Art.nr     | D inches | DN  | G mm | H1 mm | H2 mm | Approvals |
|------------|----------|-----|------|-------|-------|-----------|
| FILBOW0212 | 1/2"     | 15  | 11   | 35    | 24    |           |
| FILBOW0272 | 3/4"     | 20  | 11   | 35    | 22    | FM / LPCB |
| FILBOW0342 | 1"       | 25  | 11   | 43    | 26    | FM / LPCB |
| FILBOW0422 | 1 1/4"   | 32  | 11   | 50    | 29    | FM / LPCB |
| FILBOW0482 | 1 1/2"   | 40  | 11   | 60    | 36    | FM / LPCB |
| FILBOW0602 | 2"       | 50  | 11   | 60    | 30    | FM / LPCB |
| FILBOW0762 | 2 1/2"   | 65  | 11   | 81    | 43    | FM / LPCB |
| FILBOW0892 | 3"       | 80  | 11   | 85    | 41    | FM / LPCB |
| FILBOW1142 | 4"       | 100 | 11   | 113   | 56    | FM / LPCB |
| FILBOW1682 | 6"       | 150 | 13   | 145   | 61    | FM / LPCB |
| FILBOW2192 | 8"       | 200 | 17   | 200   | 90    | FM / LPCB |
| FILBOW2732 | 10"      | 250 | 2    | 250   | 114   |           |

Sizes : 20mm (3/4") to 200mm (8")  
FM & LPC Approved.



## Purlin Clip

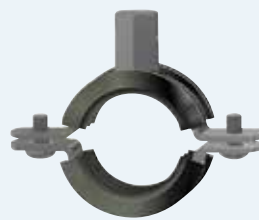
Size : M12 version available  
Finish : Zinc Plated  
Material : Available in 30 / 25 x 3



## Pipe Saddles

Sizes: 20mm to 250mm

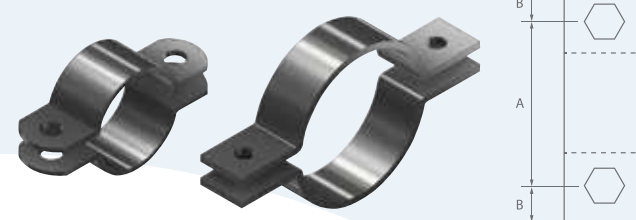
## Rubber Lined Pipe Clips



| Clip Size (mm) |         |         |         |
|----------------|---------|---------|---------|
| 1/2"           | 3/4"    | 1"      | 1 1/4"  |
| 20-25          | 26-30   | 32-36   | 47-51   |
| 1 1/2"         | 2"      | 2 1/2"  | 3"      |
| 47-51          | 60-64   | 75-80   | 87-92   |
| 3 1/2"         | 4"      | 5"      | 6"      |
| 96-102         | 113-118 | 138-142 | 159-166 |

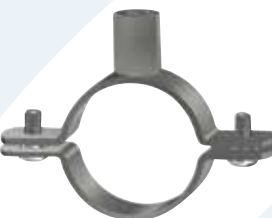
## Split Band Clips

Also available with welded sockets/bosses.



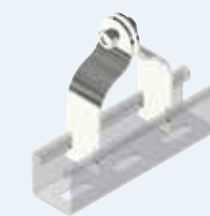
| Part No. | Fin. | Size  | A& (mm) | B& (mm) | Size (mm) | Hole (mm) | Bolt Size | Wt.  |
|----------|------|-------|---------|---------|-----------|-----------|-----------|------|
| P5790/1  | ZP   | 15mm  | 50      | 15      | 25 x 3    | 7         | M6 x 25   | 0.12 |
| P5790/10 | ZP   | 125mm | 205     | 22      | 40 x 3    | 13        | M12 x 40  | 1.03 |
| P5790/11 | ZP   | 150mm | 230     | 22      | 40 x 3    | 13        | M12 x 40  | 1.13 |
| P5790/2  | ZP   | 20mm  | 60      | 15      | 25 x 3    | 7         | M6 x 25   | 0.13 |
| P5790/3  | ZP   | 25mm  | 64      | 15      | 25 x 3    | 7         | M6 x 25   | 0.14 |
| P5790/4  | ZP   | 32mm  | 85      | 20      | 30 x 3    | 11        | M10 x 30  | 0.26 |
| P5790/5  | ZP   | 40mm  | 90      | 20      | 30 x 3    | 11        | M10 x 30  | 0.25 |
| P5790/6  | ZP   | 50mm  | 115     | 20      | 30 x 3    | 11        | M10 x 30  | 0.33 |
| P5790/7  | ZP   | 65mm  | 125     | 22      | 40 x 3    | 11        | M10 x 30  | 0.43 |
| P5790/8  | ZP   | 80mm  | 137     | 22      | 40 x 3    | 11        | M10 x 30  | 0.46 |
| P5790/9  | ZP   | 100mm | 175     | 22      | 40 x 3    | 13        | M12 x 40  | 0.61 |

## Unlined Pipe Clips



| Clip Size (mm) |         |         |         |        |
|----------------|---------|---------|---------|--------|
| 1/2"           | 3/4"    | 1"      | 1 1/4"  | 1 1/2" |
| 20-25          | 26-30   | 32-36   | 47-51   | 47-51  |
| 2"             | 2 1/2"  | 3"      | 3 1/2"  |        |
| 60-64          | 75-80   | 87-92   | 96-102  |        |
| 4"             | 5"      | 6"      | 8"      |        |
| 113-118        | 138-142 | 159-166 | 188-205 |        |

## M Series Pipe Clip



| Part no. / D (mm) |           |           |           |
|-------------------|-----------|-----------|-----------|
| 1118              | 1120      | 1122      | 1124      |
| 27.0-30.2         | 31.8-35.9 | 39.7-42.9 | 46.8-50.8 |
| 1127              | 1130      | 1133      | 1137      |
| 58.7-63.5         | 73.0-79.4 | 88.1      | 46.8-50.8 |
| 1118              | 1120      | 1122      | 1124      |
| 27.0-30.2         | 31.8-35.9 | 39.7-42.9 | 46.8-50.8 |

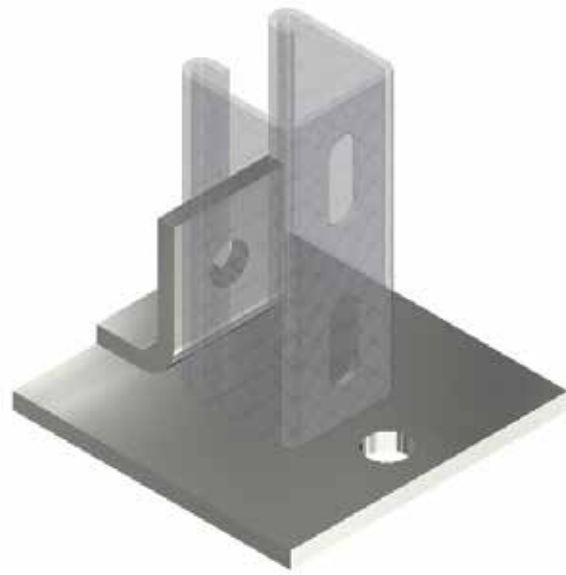
## SS2 Pipe Clips



| Finish: HDG       |              |              |             |
|-------------------|--------------|--------------|-------------|
| Part no. / D (mm) |              |              |             |
| SS2A (15mm)       | SS2B (20mm)  | SS2C (25mm)  | SS2D (32mm) |
| 0.06              | 0.07         | 0.09         | 0.10        |
| SS2E (40mm)       | SS2F (50mm)  | SS2G (65mm)  | SS2H (80mm) |
| 0.12              | 0.14         | 0.17         | 0.20        |
| SS2K (100mm)      | SS2M (150mm) | SS2N (200mm) |             |
| 0.25              | 0.36         | 0.46         |             |

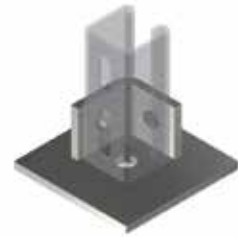


# FLOOR BRACKETS



**FB60** P2072-S2

Hole Size : 14mm Diameter  
Dimensions : 100mm x 45mm  
Thickness : 5mm  
Weight : 0.595kg  
Finish : HDG



**FB61** P2072-S1

Hole Size : 14mm Diameter  
Dimensions : 100mm x 45mm  
Thickness : 5mm  
Weight : 0.645kg  
Finish : HDG



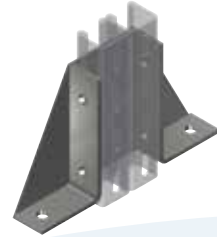
**FB62** P2073

Hole Size : 14mm Diameter  
Dimensions : 200mm x 40mm  
Thickness : 5mm  
Weight : 1.31kg  
Finish : HDG



**FB63** P2348-S1

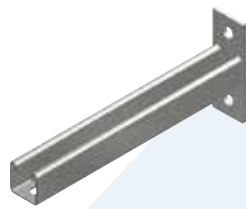
Delta Bracket To Suit 41mm x 41mm Channel  
Hole Size : 14mm Diameter  
Thickness : 5mm  
Weight : 1.695kg  
Finish : HDG



**FB64** P2348-S2

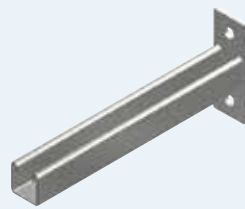
Delta Bracket To Suit 41mm x 82mm Channel  
Weight : 1.92kg  
Thickness : 5mm  
Finish : HDG

# CANTILEVER ARMS & VERTICAL SUPPORTS



**CS1 Slotted** P2663T

41 x 41 Channel  
2 x 14mm Holes back plate with drainage hole.  
Manufactured in the UK  
Sizes : 150mm, 300mm, 450mm, 600mm, 750mm, 900mm  
Finish : HDG



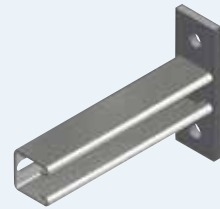
**CS1** P2663

2 x 14mm Holes back plate with drainage hole  
Cantilever arms can also be made to any length required.  
Sizes : 150mm, 300mm, 450mm, 600mm, 750mm, 900mm  
Finish : HDG



**CS4 41x41 Back to Back Plain** P2665

2 x 14mm Holes back plate with drainage hole.  
To suit any configuration, Slotted or Plain  
Cantilever arms can also be made to any length required.  
Sizes : 150mm, 300mm, 450mm, 600mm, 750mm, 900mm  
Finish : HDG



**CS3** P2668

To suit any configuration, Slotted or Plain  
Cantilever arms can also be made to any length required.  
Sizes : 150mm, 300mm, 450mm, 600mm, 750mm, 900mm  
Finish : HDG



**Vertical Support HBH**

Manufactured to Customers Specifications



**Vertical Support HBL**

Manufactured to Customers Specifications



**Vertical Support HBLD**

Manufactured to Customers Specifications



**Vertical Support HBM**

Manufactured to Customers Specifications

# FASTENERS & FIXINGS

## Hexagon Head Set Screw

Finish: BZP, High Tensile 8.8



|       | Weight (kg) |       |       |       |       |       |
|-------|-------------|-------|-------|-------|-------|-------|
|       | M6          | M8    | M10   | M12   | M16   | M20   |
| x20mm | 0.058       | 0.012 | 0.022 | -     | -     | -     |
| x25mm | 0.067       | 0.013 | 0.024 | 0.035 | -     | -     |
| x30mm | 0.075       | 0.015 | 0.026 | 0.038 | -     | -     |
| x40mm | 0.10        | 0.018 | 0.032 | 0.046 | 0.089 | -     |
| x50mm | 0.11        | 0.021 | 0.036 | 0.052 | 0.102 | 0.176 |
| x60mm | -           | -     | 0.041 | 0.058 | -     | 0.196 |
| x70mm | -           | -     | 0.046 | -     | -     | -     |
| x80mm | -           | -     | 0.050 | 0.089 | -     | -     |

## Coach Screws

Finish: Zinc Plated



|        | Weight (kg) |       |       |       |
|--------|-------------|-------|-------|-------|
|        | M6          | M8    | M10   | M12   |
| x40mm  | 0.007       | 0.025 | 0.025 | -     |
| x50mm  | 0.016       | 0.016 | 0.030 | 0.045 |
| x65mm  | -           | -     | 0.038 | 0.054 |
| x100mm | -           | -     | 0.049 | N/A   |

## Bolts

Finish: BZP, High Tensile 8.8



|       | Weight (kg) |       |       |       |       |       |
|-------|-------------|-------|-------|-------|-------|-------|
|       | M6          | M8    | M10   | M12   | M16   | M20   |
| x20mm | 0.058       | 0.012 | 0.022 | -     | -     | -     |
| x25mm | 0.067       | 0.013 | 0.024 | 0.035 | -     | -     |
| x30mm | 0.075       | 0.015 | 0.026 | 0.038 | -     | -     |
| x40mm | 0.10        | 0.018 | 0.032 | 0.046 | 0.089 | -     |
| x50mm | 0.11        | 0.021 | 0.036 | 0.052 | 0.102 | 0.176 |
| x60mm | -           | -     | 0.041 | 0.058 | -     | 0.196 |
| x70mm | -           | -     | 0.046 | -     | -     | -     |
| x80mm | -           | -     | 0.050 | 0.089 | -     | -     |

## Full Nuts

Finish: BZP



|  | Weight (kg) |       |      |        |       |       |
|--|-------------|-------|------|--------|-------|-------|
|  | M6          | M8    | M10  | M12    | M16   | M20   |
|  | 0.0015      | 0.005 | 0.01 | 0.0145 | 0.028 | 0.515 |

## Eye Bolts

Finish: BZP

| Weight (kg) |        |
|-------------|--------|
| M10x80mm    | 0.0650 |
| M10x100mm   | 0.0775 |
| M10x150mm   | 0.0968 |
| M10x200mm   | 0.1210 |
| M10x250mm   | 0.1451 |
| M10x300mm   | 0.1695 |

## Hooks

Finish: BZP

| Weight (kg) |        |
|-------------|--------|
| M10x80mm    | 0.0650 |
| M10x100mm   | 0.0775 |
| M10x150mm   | 0.0968 |
| M10x200mm   | 0.1210 |
| M10x250mm   | 0.1451 |
| M10x300mm   | 0.1695 |

## Anchors

Finish: Zinc

| Weight (kg) |        |        |
|-------------|--------|--------|
| M1x30       | M10x40 | M12x50 |
| 0.0150      | 0.0205 | 0.0506 |

## Lipped Anchors

Finish: Zinc

| Weight (kg) |        |        |
|-------------|--------|--------|
| M1x30       | M10x40 | M12x50 |
| 0.0150      | 0.0205 | 0.0506 |

## TEK Screws C/w Washers

Self Drilling Screws

| Weight (kg) |        |        |        |
|-------------|--------|--------|--------|
| 5.5x25      | 5.5x32 | 5.5x38 | 5.5x50 |
| 0.0066      | 0.0065 | 0.0075 | 0.0092 |

## M10 - M12 Adaptor

Weight : 0.10kg  
Finish : Zinc

## Flange Nuts

Finish: BZP



|  | Weight (kg) |        |        |        |       |
|--|-------------|--------|--------|--------|-------|
|  | M6          | M8     | M10    | M12    | M16   |
|  | 0.00225     | 0.0063 | 0.0105 | 0.0195 | 0.425 |

## Rawl Bolt

Finish: Zinc

| Weight (kg) |        |        |        |
|-------------|--------|--------|--------|
| M8          | M10    | M12    | M16    |
| 0.0560      | 0.0915 | 0.1665 | 0.1720 |

## Through Bolt

Finish: Zinc

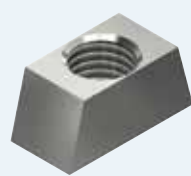
| Size      |        |     |     |
|-----------|--------|-----|-----|
| M10       | M12    | M16 | M20 |
| 75/90/120 | 80/100 | 105 | 130 |

# FASTENERS & FIXINGS



**M10 RD60 Mini Wedge Nuts**

Weight : 0.0107kg

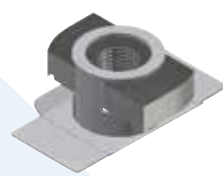


**Wedge Nuts**

Finish : YZP

Weight (kg)

| M6      | M8      | M10    | M12    |
|---------|---------|--------|--------|
| 0.01873 | 0.01873 | 0.0165 | 0.0195 |



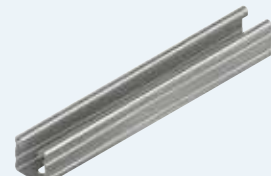
**Plastic Nut Assembly**

Part No. : NQN  
Finish : Zinc / Plastic  
Weight : 0.03kg



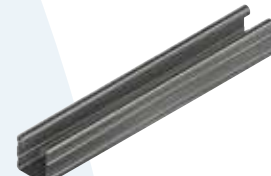
**M10 Rubber Rawl Nuts**

Resistant to vibration and corrosion.  
Unit Weight : 0.0228kg  
Finish : Rubber with Bonded Brass insert



**41x41 Slotted Channel**

Pre-Galvanised Slotted Channel (14 x 25)  
3,000 or 6,000 Standard Lengths  
Cut Lengths available  
Thickness : 2.5mm  
Weight : 2.64kg per metre  
14.6kg (per 6,000 Lengths)



**41x41 Plain Channel**

Also available in Galvanised  
Thickness : 2.5mm  
Weight : 2.83kg per metre  
15.2kg (per 6,000 Lengths):



**41x21 Slotted**

Pre-Galvanised Slotted (14 x 25) Channel  
3,000 or 6,000 Standard Lengths.  
Cut Lengths available  
Thickness : 2.5mm  
Weight : 1.65kg per metre  
9.8kg (per 6,000 Lengths)



**41x21 Plain**

Thickness : 2.5mm  
Weight : 1.9kg per metre  
10.4kg (per 6,000 Lengths)



**Sikla Toggles x 100**

TDM10 x100, M10 x 100  
Weight : 0.13kg  
Finish : Zinc



**Flat Washers**

Size : M6/M8/M10/M12/M16/M20  
Finish : Zinc



**Penny Washers**

Size : M6 x 25 O/D  
M8 x 25 O/D  
M10 x 38 O/D  
M12 x 38 O/D  
Finish : Zinc



**Spring Washers**

Finish : Zinc

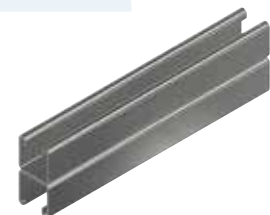
Weight (kg)

| M6     | M8     | M10    | M12    |
|--------|--------|--------|--------|
| 0.0004 | 0.0013 | 0.0015 | 0.0023 |



**41x41 Back to Back Slotted**

Finish : Pre-Galvanised  
Size : All 14mm Slots  
3,000 metres  
Weight : 29.2kg (per 6,000 Lengths)



**41x41 Back to Back Plain**

Finish : Pre-Galvanised  
Size : 3,000 metres  
Weight : 15.2kg (per 6,000 Lengths)



**41x21 Back to Back Slotted**

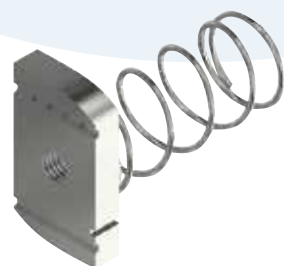
Finish : Pre-Galvanised  
Size : All 14mm Slots  
3,000 metres  
Weight : 19.6kg (per 6,000 Lengths)



**41x21 Back to Back Plain**

Finish : Pre-Galvanised  
Size : 3,000 metres  
Weight : 19.6kg (per 6,000 Lengths)

# CHANNEL NUTS



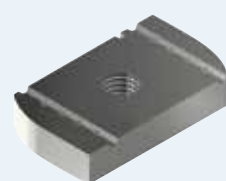
**Long Spring**

Size : M6/M8/M10/M12  
Finish : Zinc Plated



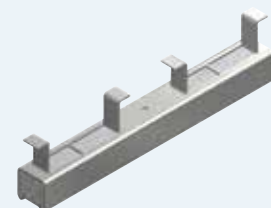
**Short Spring**

Size : M6/M8/M10/M12  
Finish : Zinc Plated



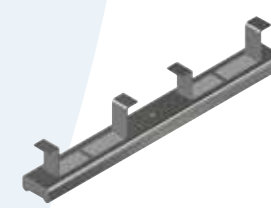
**Plain Channel Nut**

Size : M6/M8/M10/M12/M16  
Finish : Zinc Plated



**41x41 (N3270) Concrete Insert**

Available Pre-Filled & End Capped (Optional)  
Manufactured to Customers Specifications



**41x21 (N3370) Concrete Insert**

Available Pre-Filled & End Capped (Optional)  
Manufactured to Customers Specifications



**Enclosure Strips**

Available in Black or White  
Weight : 0.30kg



**Lip Washer**

Hole Size : M8/M10/M12  
Weight : 0.08kg  
Finish : Zinc  
Material : 30 x 3



**41x41 White End Cap**

Dimensions : 41mm x 41mm  
Weight : 0.05kg  
Material : PVC



**41x41 Black End Cap**

Dimensions : 41mm x 41mm  
Weight : 0.05kg  
Material : PVC



**41x21 White End Cap**

Dimensions : 41mm x 21mm  
Weight : 0.05kg  
Material : PVC



**41x21 Black End Cap**

Dimensions : 41mm x 21mm  
Weight : 0.05kg  
Material : PVC



# ALLTHREAD RODS & ACCESSORIES

# FIRE PROTECTION

All our Fire Protection supports are manufactured to customer specifications. A small sample of the supports we manufacture can be found below.



### Connectors

Finish : BZP  
Size : M8/M10/M12/M16/M20

#### Unit Weights (kg)

| M8   | M10    | M12   | M16   | M20   |
|------|--------|-------|-------|-------|
| 0.02 | 0.0405 | 0.056 | 0.115 | 0.200 |



### Threaded Rod

Finish : Zinc Plated  
Size : M6/M8/M10/M12/M16/M20

#### 3 metre length Weights (kg)

| M6  | M8   | M10  | M12  | M16  | M20 |
|-----|------|------|------|------|-----|
| 0.5 | 0.85 | 1.35 | 1.95 | 3.53 | 8.3 |



### Rod End Caps

Finish : Black PVC  
Size : M10/M12

#### Unit Weights (kg)

| M10    | M12   |
|--------|-------|
| 0.0015 | 0.002 |



### Angle Brackets

Manufactured to Customers Requirements  
Available in Red Oxide / ZP / Galvanised



### Pipe Stand

Manufactured to Customers Requirements  
Available in Red Oxide / ZP / Galvanised



### Goal Post Bracket

Manufactured to Customers Requirements



### Loop Style Wall Brackets

Manufactured to Customers Requirements  
Available in Red Oxide / ZP / Galvanised

# LINDAPTER PRODUCTS



### Alpha Wedge

Finish : BZP/ YZP  
Size : M8/M10/M12/M16/M20

#### Weight (kg)

| M6x25 | M8x30 | M10x40 | M12x50 | M16x65 | M20x80 |
|-------|-------|--------|--------|--------|--------|
| 0.008 | 0.016 | 0.024  | 0.042  | 0.104  | 0.190  |



### Lindapter Multi Wedge

Finish : Zinc  
Size : M6/M8/M10  
Unit Weight : 0.10



### Metal Flooring Fix

Finish : Zinc  
Size : M6/M8/M10  
Unit Weight : 0.09



### Ganghangers

Manufactured to Customers Requirements  
Available in Red Oxide / ZP / Galvanised



### Channel Brackets

Manufactured to Customers Requirements  
Available in Red Oxide / ZP / Galvanised



### Gallows Bracket

Manufactured to Customers Requirements  
Available in Red Oxide / ZP / Galvanised



### Welded Angle Bracket

Manufactured to Customers Requirements  
Available in Red Oxide / ZP / Galvanised



### Bridge Piece

Manufactured to Customers Requirements  
Available in Red Oxide / ZP / Galvanised



### Girder Cleat

Manufactured to Customers Requirements  
Available in Red Oxide / ZP / Galvanised



### Z Ceiling Bracket

40 x 5 Material - M10 & M12 - Hole Sizes  
Manufactured to Customers Requirements  
Available in Red Oxide / ZP / Galvanised



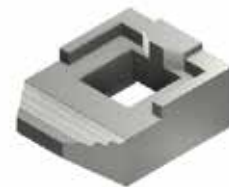
### TC10 - Toggle Clamp

Complete with M10 Nuts  
Sizes : M8 (TC08) / M10 (TC10)  
Weight : 0.04kg  
Finish : Zinc



### TR60 M10 Wedge

Sizes : M6/M8/M10  
Weight : 0.08kg  
Finish : Zinc



### Type A Clamp

Short/Medium/ Long Tail Available  
Finish : Zinc

#### Unit Weight (kg)

| M6   | M8   | M10  | M12  | M16  | M20  |
|------|------|------|------|------|------|
| 0.03 | 0.03 | 0.06 | 0.10 | 0.16 | 0.46 |



### Type D2 Clamp

Complete with Pin  
Sizes : M8 (TC08) / M10 (TC10)  
Weight : 0.04kg  
Finish : Zinc



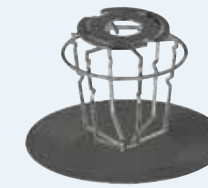
### Sprinkler Baffle Plates

83mm/150mm/300mm.  
To Suit 15 or 20mm Sprinkler Heads.  
Weight : 0.076kg



### Sprinkler Guards

To Suit 15 & 20mm Sprinkler Heads  
Weight : 0.033kg



### Sprinkler Guards with Baffle

To Suit 15 & 20mm Sprinkler Heads  
Weight : 0.076kg



### Sprinkler Head

For use with Sprinkler Guards and Baffle Plates.  
Available for 15mm and 20mm heads.



# Other products

## SOCKETS

Designed to work in conjunction with our range of tube or suitable for usage with alternative tube product, our range of sockets meets the highest of standards and comes at a sensible price. Our sockets are made to British Standard EN10241:2000 specification. Available in black or galvanised finish and in sizes from 1/8" to 6" (6mm to 150mm), all our sockets are easy to use. They are also available as full or half sockets.

## STEEL TUBE

We stock a comprehensive selection of tube which is ready for prompt despatch in either Red Primer Painted, Self Colour or Galvanised. All of our tube meets EN10255 (BS 1387) & EN10217-1 regulations. In addition our galvanised finish meets BS EN 10240:1998. All tube is approximately 6.5 metres in length and diameters range from 15mm to 150mm in both heavy and medium weight wall thickness.

## COUPLINGS

Our couplings come in a variety of styles and with any type of gasket to suit your needs. We offer a broad line of fittings and a variety of straight and reducing styles. Most standard fittings are cast of durable ductile iron to precise tolerances. The Flexible couplings range allow controlled angular, linear and rotational movement to accommodate expansion/contraction, settling, vibration, noise and other piping system movement. We also offer dedicated lengths of 3200mm & 6400mm saving you time and money on cutting and handling random lengths.

## GROOVED FITTINGS

Our grooved fittings are designed specifically for use in grooved piping systems and conform to standard steel pipe outside diameters. The use of grooved piping systems eliminates hot works and its associated risks as well as giving faster installation times. Standard range fittings pressure ratings conform to the ratings of the installed coupling. Groove design permits flexibility for easy alignment. Available in orange enamel or galvanised finish.







FS639042



Network Cable and Pipe Supports  
Unit 1,2 & 14, Penn Industrial Estate, Providence Street,  
Cradley Heath, West Midlands B64 5DJ

Tel: 01384 566222    [info@networkcableandpipe.co.uk](mailto:info@networkcableandpipe.co.uk)  
Fax: 01384 412209    [www.networkcableandpipe.co.uk](http://www.networkcableandpipe.co.uk)